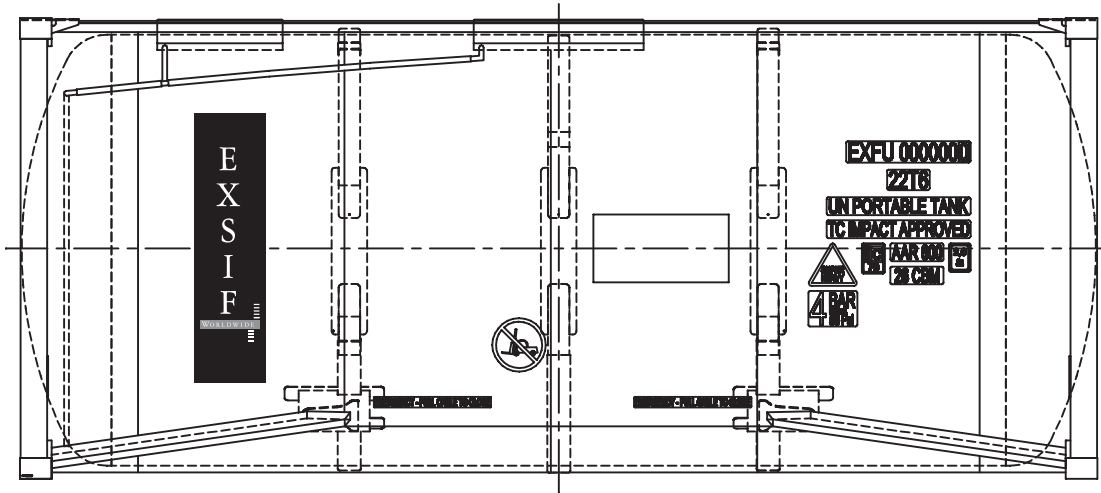


T11 26,000 LITER

Beam Tank



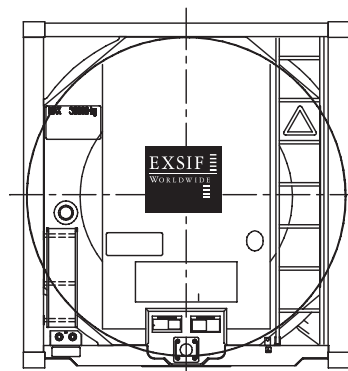
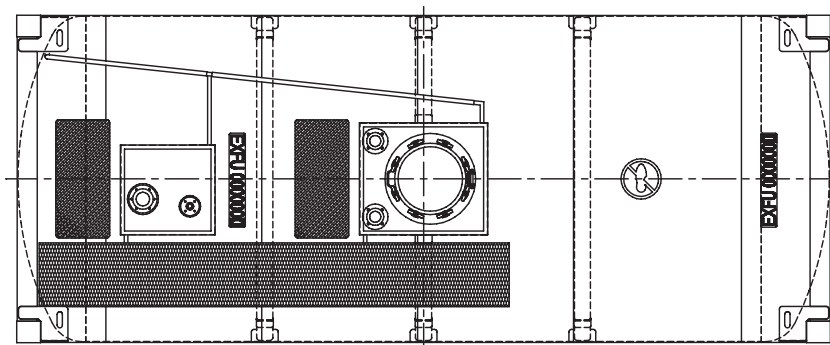
26,000 LITER

EXSIF

WORLDWIDE



A member of The Marmon Group of companies



T11 26,000 LITER

Beam Tank General Specifications

Dimensions	mm	ft-in	Internal Finish	Cold rolled ASTM 2B, interior acid cleaned and certified for the carriage of foodstuff.	Thermometer	Surface type gauge reading -20°C to $+160^{\circ}\text{C}$ ($-4^{\circ}\text{F}/+320^{\circ}\text{F}$).	
Length	6058	20' 0"	Weights	kgs	lbs	Steam Heating System	Ten runs producing an effective heating area of 10 sq.meters, (107.65 sq.ft). 4 Bar (58 psi) working pressure with 1" BSP inlet/outlet connections.
Width	2438	8' 0"	Tare	3,460	7,628	Insulation	Sandwich of 40mm polyurethane and 20mm glasswool. Outer cladding of 5000 series aluminium with all joints sealed.
Height	2591	8' 6"	Max Payload	32,540	71,658	Approvals	IMDG-IMO, US-DOT-CFR49, RID/ADR, UK DETR, AAR 600. CSC, TC, TIR Customs, UIC, Chinese SQLO
Capacity	Liters	US Gallons	Fittings			Other Capacities	Capacities from 12,000 liters (3,170 USG) to 25,000 liters (6,604 USG)
	26,000	6,868	Manlid	Fort Vale 500 mm, diameter, fully hinged with 8 fixings.		Options	Electrical/ glycol heating Linings Baffles or compartments
Shell Material	316L Stainless Steel		Air Line	1 1/2" stainless steel ball valve with a 1/2" BSP termination.			
Barrel/ Head Thickness	4.4/5.3 mm (0.17/ 0.21")		Bottom Outlet	3" 45° stainless steel foot valve, butterfly valve with a 3" BSP termination. Remote closure system with fusible link fitted.			
Pressures	Working = 4 Bar (58.0 psi) Test = 6 Bar (87.0 psi) Vacuum = 0.4 Bar (5.9 psi)		Top Outlet	3" nominal bore closed by a 3" Table 'D' flange.			
Design Temp	130 °C (266 °F)		Safety Relief Valve	3" flanged high flow valve set at 4.4 Bar (63.8 psi) with provision for bursting disc and pressure gauge.			
Design Code	ASME VIII Division 1						
External Finish	Zinc rich primer and acrylic top coat.						

Note: The above information is an average representation of technical data. Please consult your EXSIF Worldwide representative for more specific data.

1225 North Loop West
Suite 300, Houston
TX 77008, USA
tel: 1-713-869-9922
fax: 1-713-869-6526
email: sales.americas@EXSIFWW.COM

16 Raffles Quay
#42-01A Hong Leong Building
Singapore 048581
tel: 65-6224-2633
fax: 65-6224-2634
email: sales.asia@EXSIFWW.COM

9, Place Hoche - F - 78000
Versailles,
France.
tel: 33-1-39 51 16 12
fax: 33-1-30 21 91 96
email: sales.europe@EXSIFWW.COM



Visit our web site www.EXSIFWW.COM

Offices and Agents Worldwide: Australia, Brazil, China, France, Germany, Indonesia, Israel, Italy, Japan, Korea, Netherlands, Malaysia, Philippines, Poland, Russia, Saudi Arabia, Singapore, South Africa, Taiwan, United Arab Emirates, UK, USA
Headquarters: 100 Manhattanville Rd, Purchase, NY 10577, USA tel: 1-914-697-2600, fax: 1-914-697-2697, e-mail EXSIF.CO@EXSIFWW.COM